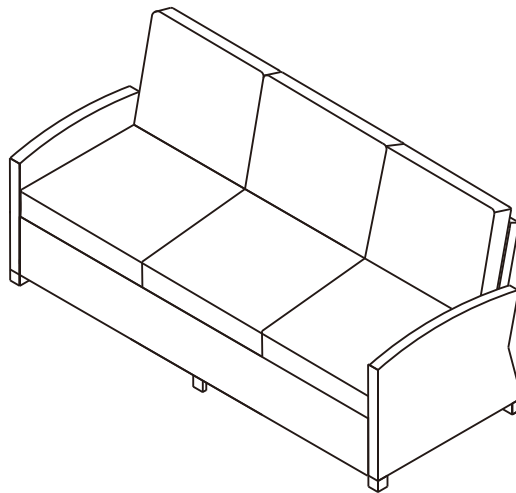
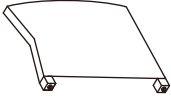
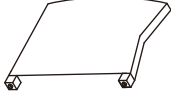



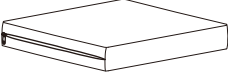

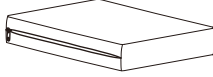





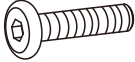
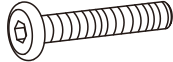
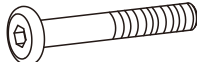


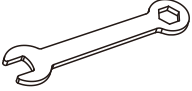

Outdoor Wicker Sofa  
CO7131



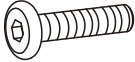
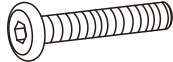
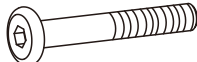


# PART LIST

				
<p>Left Arm Panel 1 PC</p>	<p>Right Arm Panel 1 PC</p>	<p>Back Panel 1 PC</p>	<p>Seat Panel 1 PC</p>	<p>Center Leg 1 PC</p>
				<p>*Please note cushion covers will ship separately.</p>
<p>Cover Of Seat Cushion 3 PCS</p>	<p>Inner Of Seat Cushion 3 PCS</p>	<p>Cover Of Back Cushion 3 PCS</p>	<p>Inner Of Back Cushion 3 PCS</p>	

# HARDWARE LIST

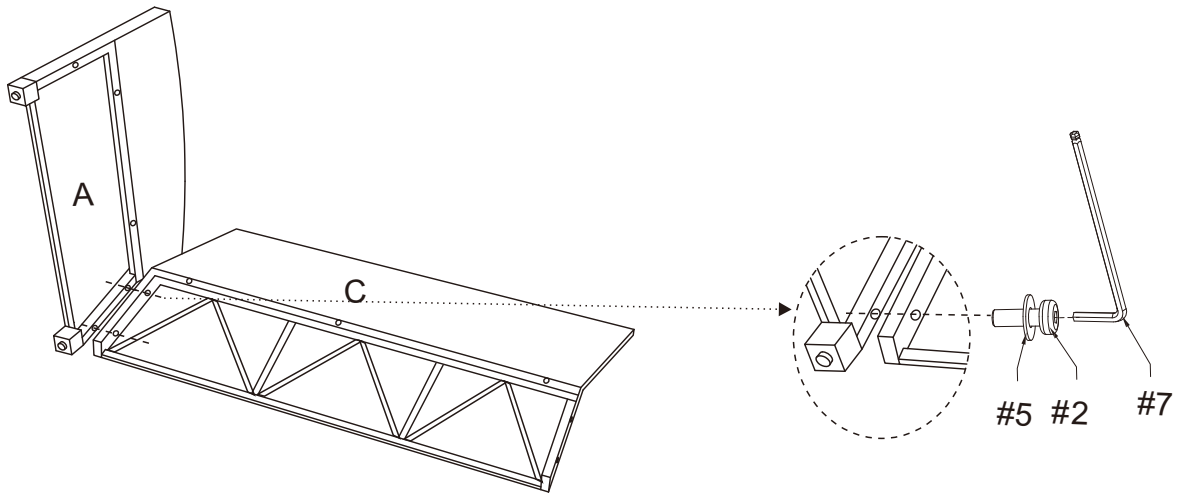
 <p>M6*40mm</p>	 <p>M6*55mm</p>	 <p>M6*65mm</p>	 <p>M6mm</p>	 <p>M6mm</p>
<p>Short Bolt 4 PCS</p>	<p>Medium Bolt 4 PCS</p>	<p>Long Bolt 7 PCS</p>	<p>Nut 7 PCS</p>	<p>Washer 22 PCS</p>
 <p>M6mm</p>	 <p>M6mm</p>			
<p>Wrench 1 PC</p>	<p>Allen Key 1 PC</p>			




# EXTRA HARDWARE LIST

 <p>M6*40mm</p>	 <p>M6*55mm</p>	 <p>M6*65mm</p>	 <p>M6mm</p>	 <p>M6mm</p>
<p>Short Bolt 1 PC</p>	<p>Medium Bolt 1 PC</p>	<p>Long Bolt 2 PCS</p>	<p>Nut 2 PCS</p>	<p>Washer 3 PCS</p>

Step 1. Lay back panel (part #C) down on a flat surface. Attach left arm panel (part #A) to back panel (part #C) using the medium bolts (part #2), washers (part #5) & allen key (part #7).

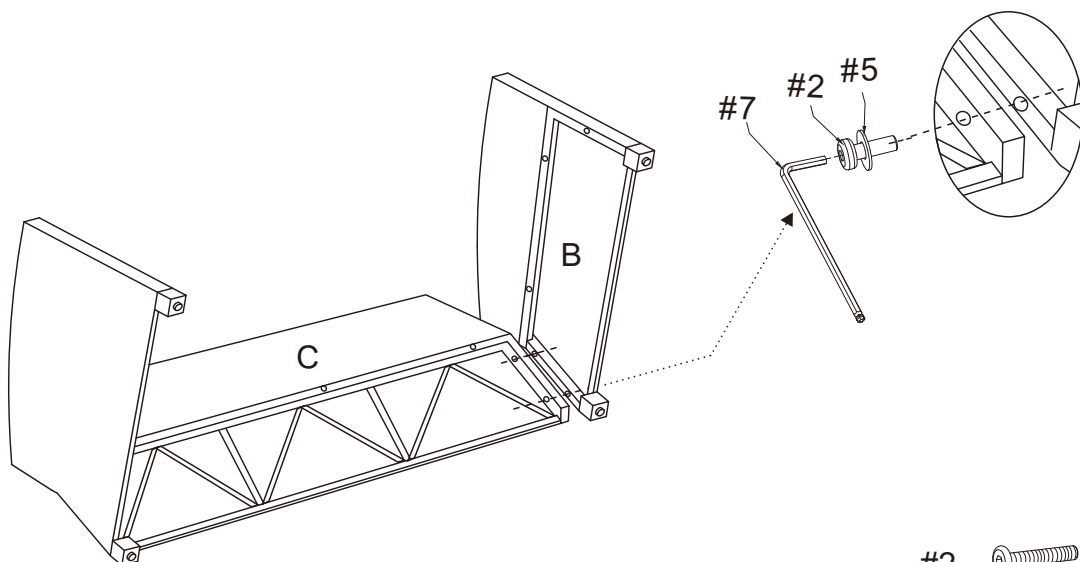
NOTE: Please do not fully tighten bolts until unit is fully assembled.






- |    |   |    |
|----|---|----|
| #2 |   | x2 |
| #5 |  | x2 |
| #7 |  | x1 |

Step 2. Attach right arm panel (part #B) to back panel (part #C) using the medium bolts (part #2), washers (part #5) & allen key (part #7).

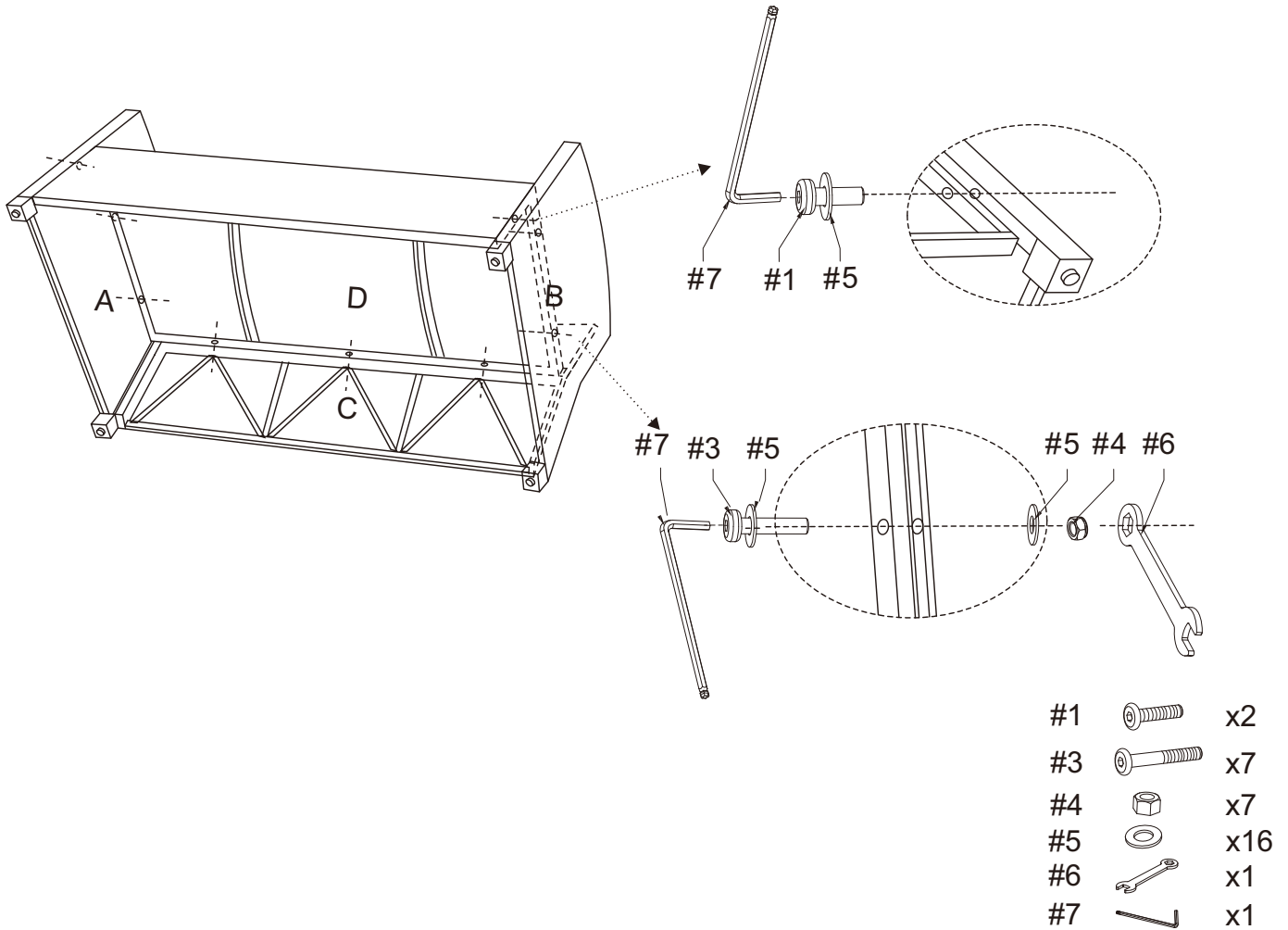
NOTE: Please do not fully tighten bolts until unit is fully assembled.



- |    |   |    |
|----|---|----|
| #2 |  | x2 |
| #5 |  | x2 |
| #7 |  | x1 |

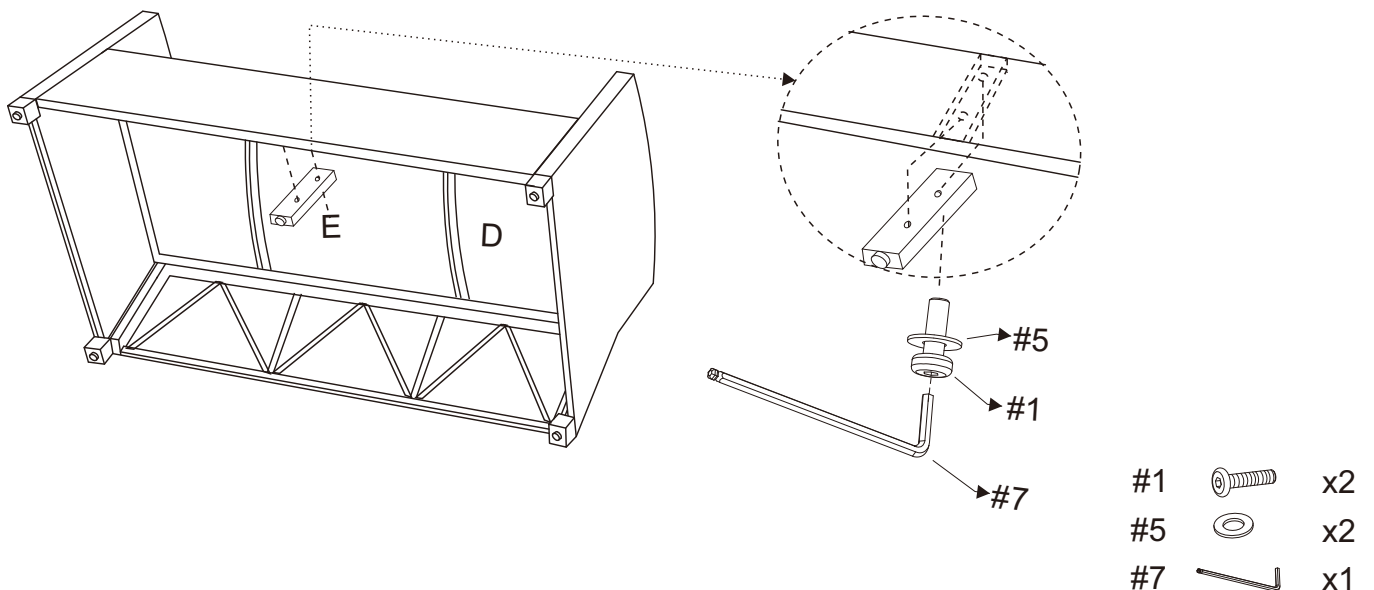
Step 3. Attach center seat panel (part #D) to assembled parts (part #A, C & B) using short bolts (part #1), long bolts (part #3), washers (part #5), nuts (part #4), wrench (part #6) and allen key (part #7).

NOTE: Please do not fully tighten bolts until unit is fully assembled.

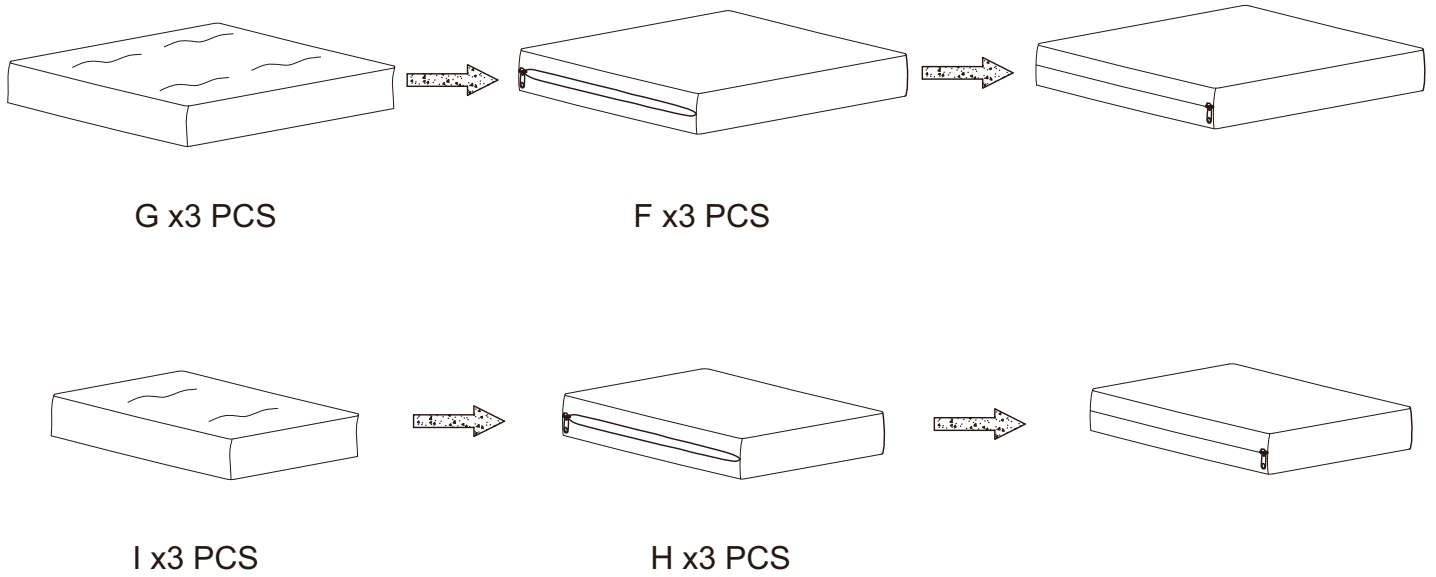


Step 4. Attach center leg (part #E) to seat panel (part #D) using short bolts (part #1), washers (part #5) and allen key (part #7).

NOTE: Please fully tighten all bolts at this time.



Step 5. Insert inner of seat cushion (part #G) into cover of seat cushion (part #F).  
Insert inner of back cushion (part #I) into cover of back cushion (part #H).



Step 6. Place seat cushion and back cushion on the sofa.

